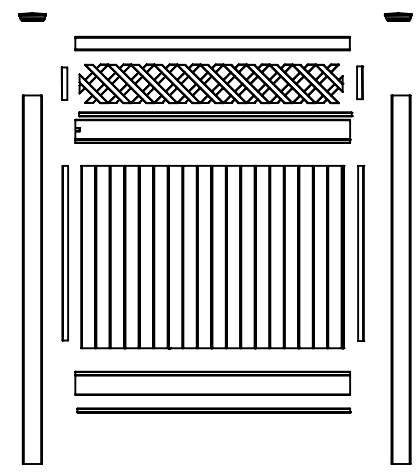
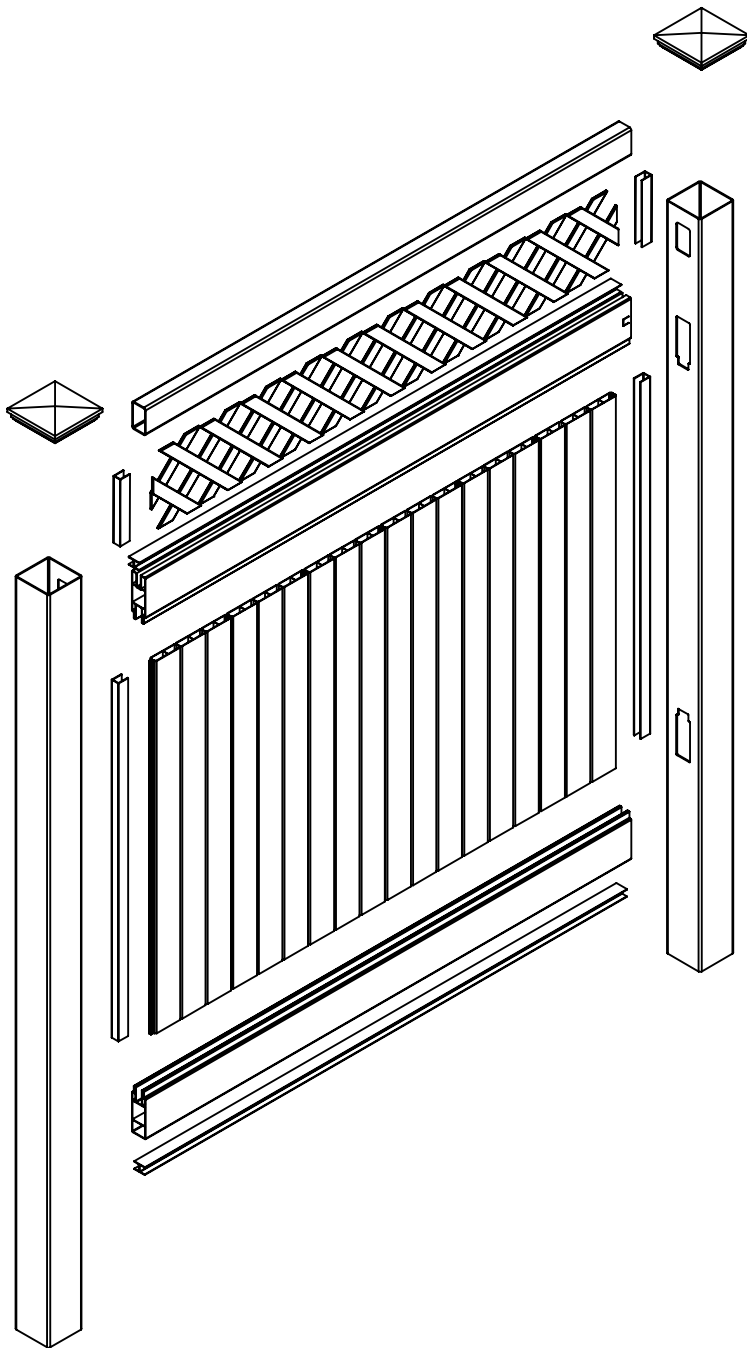


Note: Post Centers must be on 73.5" Centers



Materials List (Section)

- (1) 5" x 5" x 96" Routed Post
- (1) 2" x 6" x 71.5" Deco Bottom Rail
- (1) 2" x 6" x 71.5" Deco Mid- Rail
- (1) 2" x 3.5" x 71.5" Top Rail
- (6) .875" x 11.3" x 47.5" T&G Panel
- (1) 12" x 68" True Lattice
- (4) U-Channel to Fit
- (2) Aluminum Rail Stiffeners
- (1) Post Cap