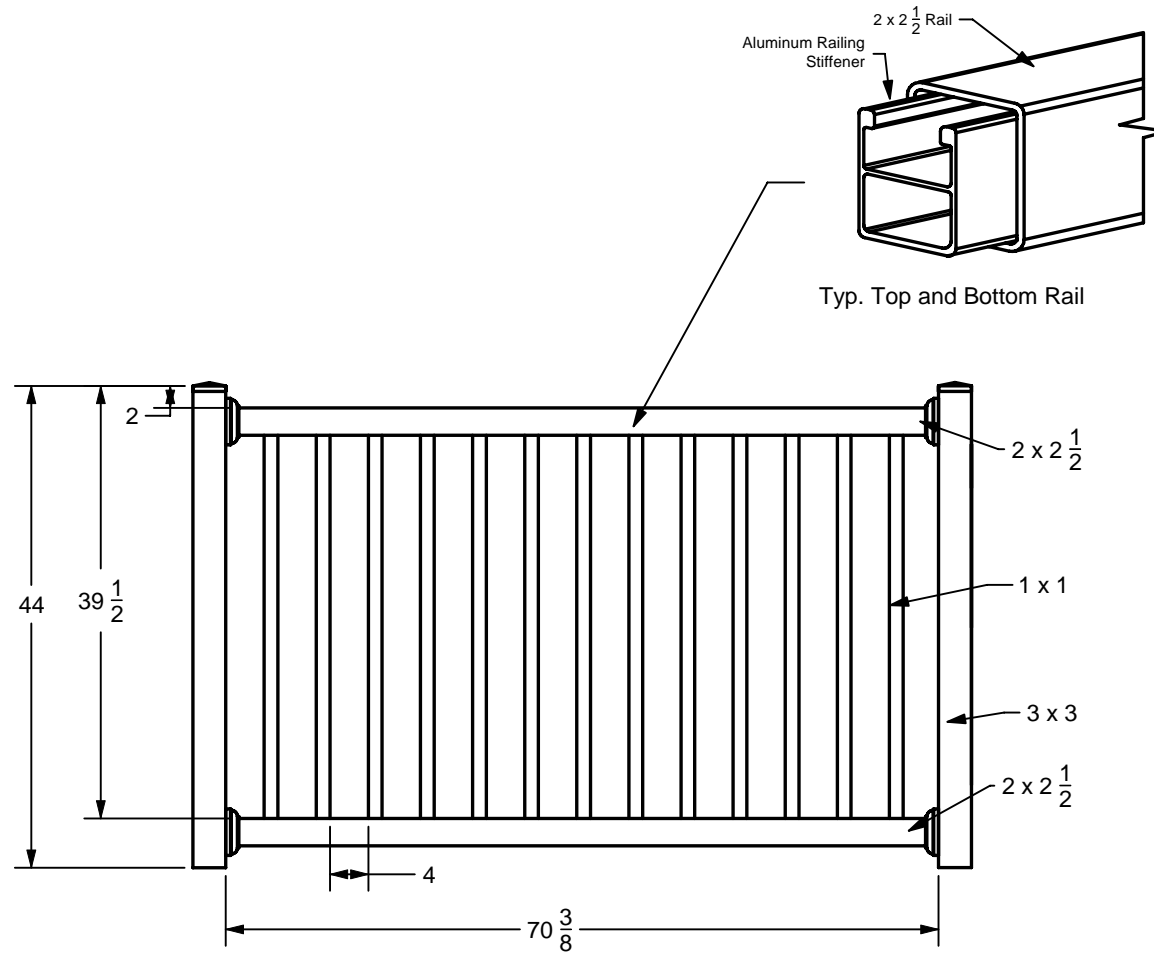


COMMERCIAL RAILING



BILL OF MATERIALS

PART #	QUAN.	DESCRIPTION
BP4476		4 X 4 X 44
BR2256	2	2 X 2 1/2 X 70
BPK114	13	1 X 1 X 37 3/8
		OPTIONAL CAPS
GRS2256	2	GUARD RAIL STIFFENER
BTB225	4	TRIM & BASE BRACKET

BSL170-6 - RAILING 42" WITH 4" SPACING - 1" x 1" PICKETS WITH ALUMINUM PICKET INSERTS

Note: Use BOCA/ICC Approved Post Insert
Meets IBC, SBC & BOCA /ICC Code Requirements.
See Local Building Code Authority for Compliance

BLACKline *hhp*
HIGH HEAT PERFORMANCE

ORNAMENTAL DESIGN

OFFICE: (360) 398-1824
1325 Marietta Ave. Bellingham, WA 98226
Web Site: <http://www.blacklinehhp.com>

#: BSL 170-6

REV : AUGUST 2014

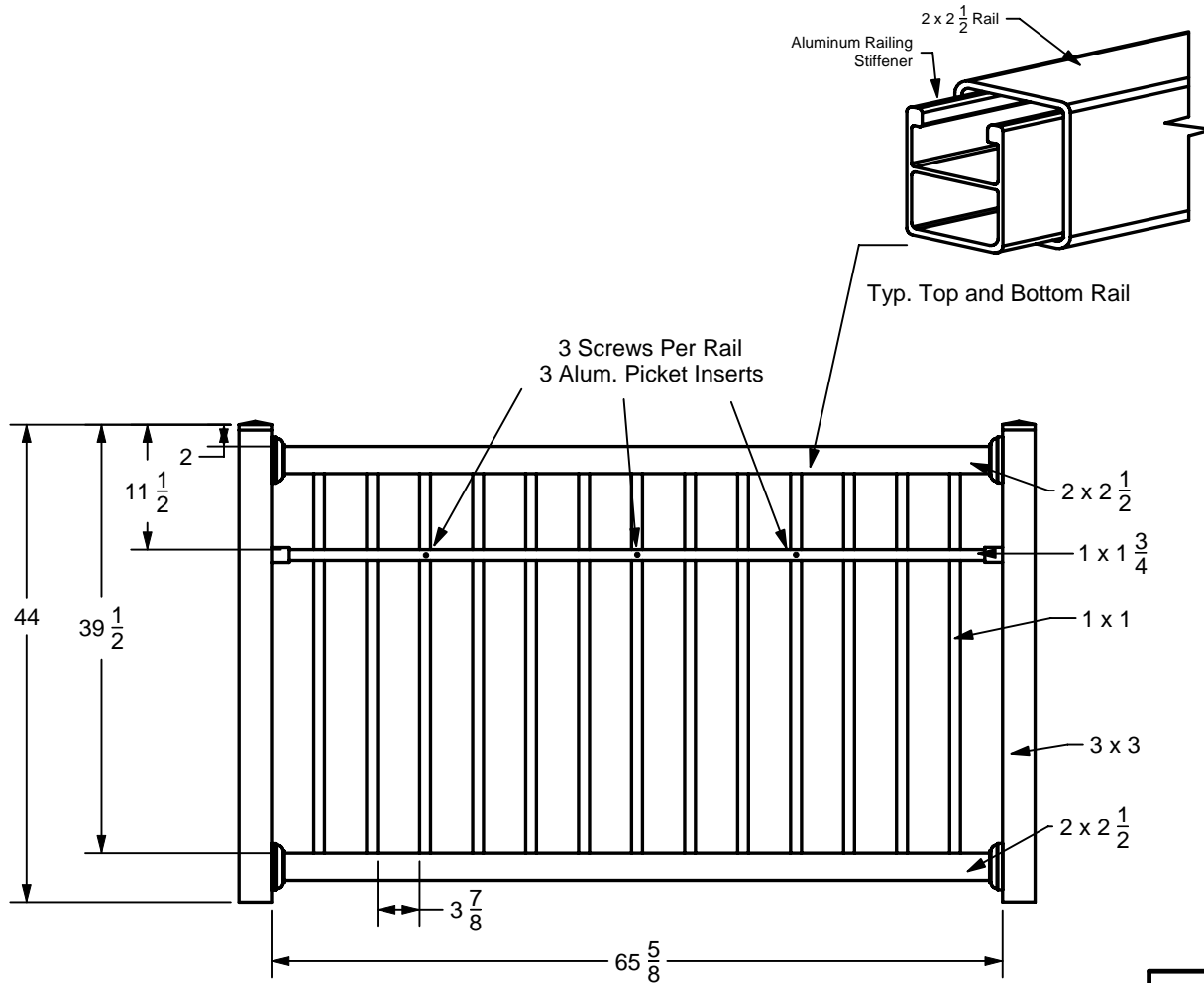
DWG NUMBER :

SCALE : 1 : 1

SHEET 1 OF 1

Property of Blackline

COMMERCIAL RAILING



BILL OF MATERIALS		
PART #	QUAN.	DESCRIPTION
BP4476		4 x 4 x 44
BR2256	2	2 x 2 1/2 x 68 1/4
BR11346	1	1 3/4 x 1 x 68 1/4
BPK114	13	1 x 1 x 38 1/2
		OPTIONAL CAPS
GRS2256	2	GUARD RAIL STIFFENER
BWM134	2	WALL MOUNT
BTB225	4	TRIM & BASE BRACKET
BS1	19	1" SET SCREWS
SS1	2	# 12 x 1" FLAT HEAD SCREWS

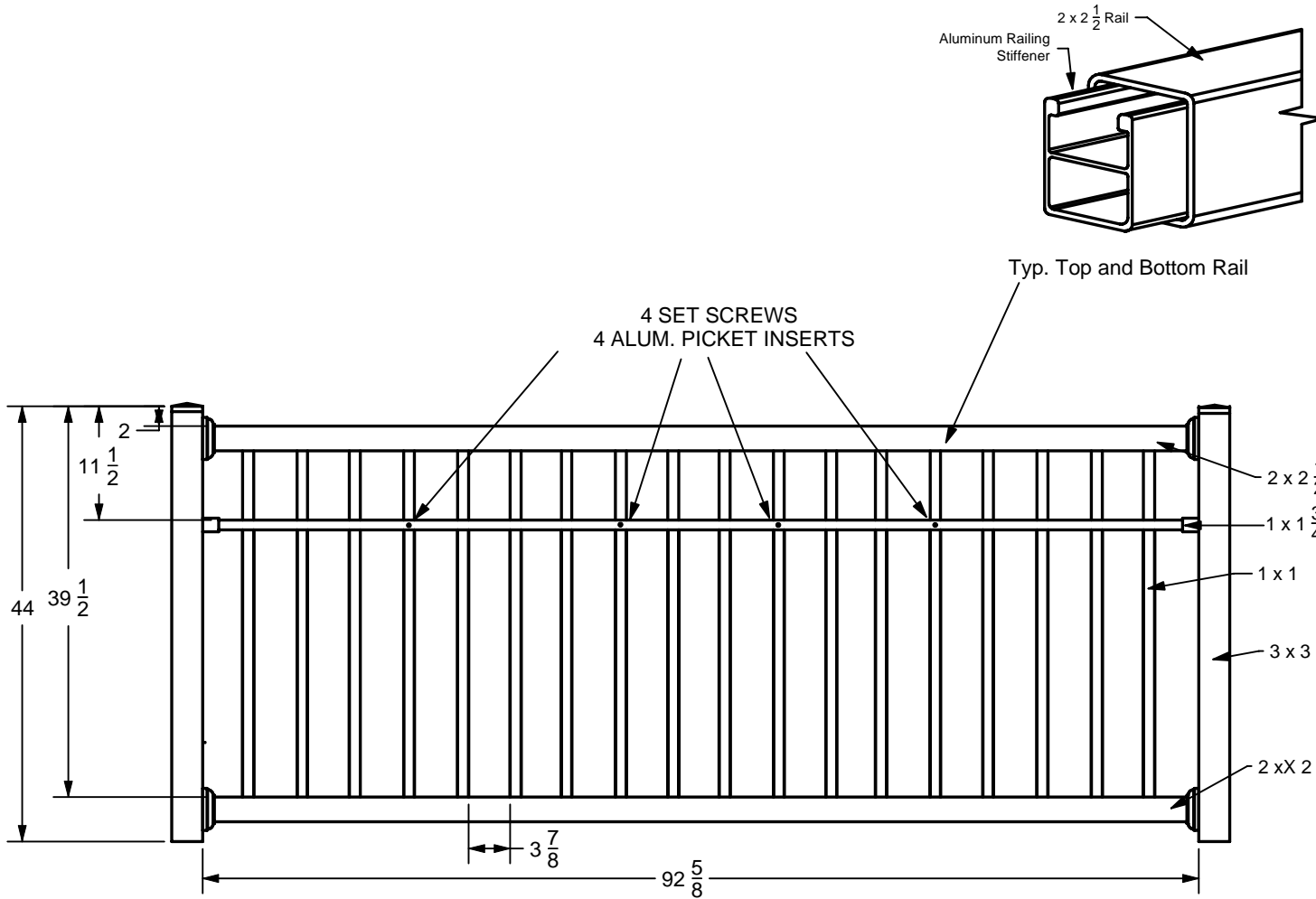
BLACKline *hhp*
HIGH HEAT PERFORMANCE

BSL171-6 - RAILING 42" WITH 3 7/8" SPACING - 1" x 1" PICKETS

Note: Use BOCA/ICC Approved Post Insert
Meets IBC, SBC & BOCA /ICC Code Requirements.
See Local Building Code Authority for Compliance

ORNAMENTAL DESIGN	OFFICE: (360) 398-1824 1325 Marietta Ave. Bellingham, WA 98226 Web Site: http://www.blacklinehhp.com
#: BSL 171-6	
REV : AUGUST 2014	DWG NUMBER :
SCALE : 1 : 1	SHEET 1 OF 1
Property of Blackline	

COMMERCIAL RAILING



BILL OF MATERIALS		
PART #	QUAN.	DESCRIPTION
BP4476		4 x 4 x 44
BR2258	2	2 x 2 1/2 x 92 1/4
BR11348	1	13/4 x 1 x 92 1/4
BPK114	18	1 x 1 x 38 1/2
		OPTIONAL CAPS
GRS2258	2	GUARD RAIL STIFFENER
BTB225	4	TRIM & BASE BRACKET
SS1	2	#12 x 1" FLAT HEAD SCREWS
BWM134	2	WALL MOUNT

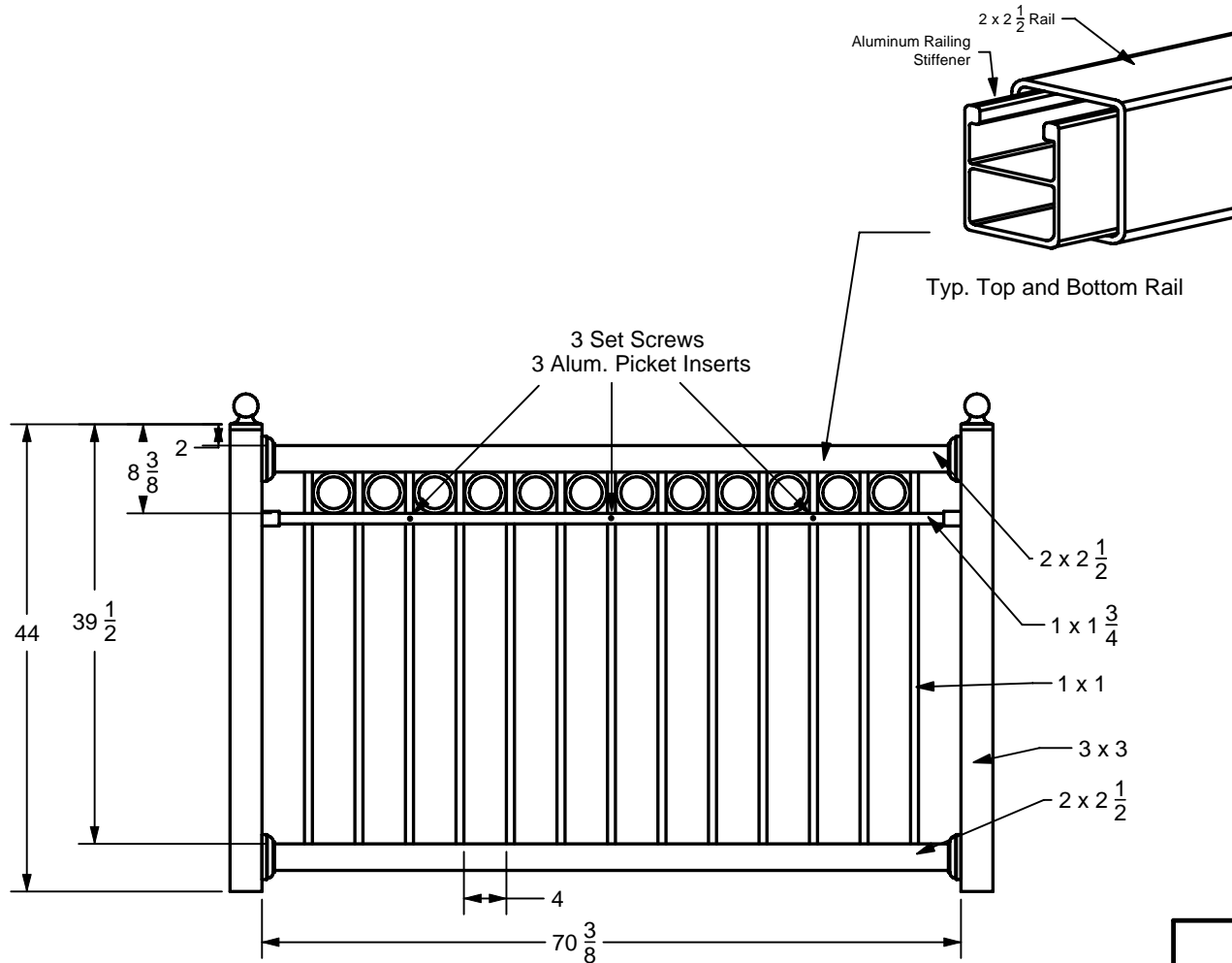
BSL171-8 - RAILING 42" WITH 3 7/8" SPACING - 1" x 1" PICKETS

Note: Use BOCA /ICC Approved Post Insert
Meets IBC, SBC & BOCA /ICC Code Requirements.
See Local Building Code Authority for Compliance

BLACKline *hhp*
HIGH HEAT PERFORMANCE

ORNAMENTAL DESIGN	OFFICE: (360) 398-1824
#: BSL 171-8	1325 Marietta Ave. Bellingham, WA 98226
REV : AUGUST 2014	Web Site: http://www.blacklinehnp.com
SCALE : 1 : 1	DWG NUMBER :
Property of Blackline	SHEET 1 OF 1

COMMERCIAL RAILING



BILL OF MATERIALS		
PART #	QUAN.	DESCRIPTION
BP4476		4 x 4 x 44
BR11346	1	1 3/4 x 1 x 70
BR2256	2	2 x 2 1/2 x 70
BP114	13	1 x 1 x 38 1/2
		OPTIONAL CAPS
BR4	12	4" O.D. RINGS
GRS2256	2	GUARD RAIL STIFFENER
BTB225	4	TRIM & BASE BRACKET
BWM134	2	WALL MOUNT
SS1	2	#12 x 1" FLAT HEAD SCREWS

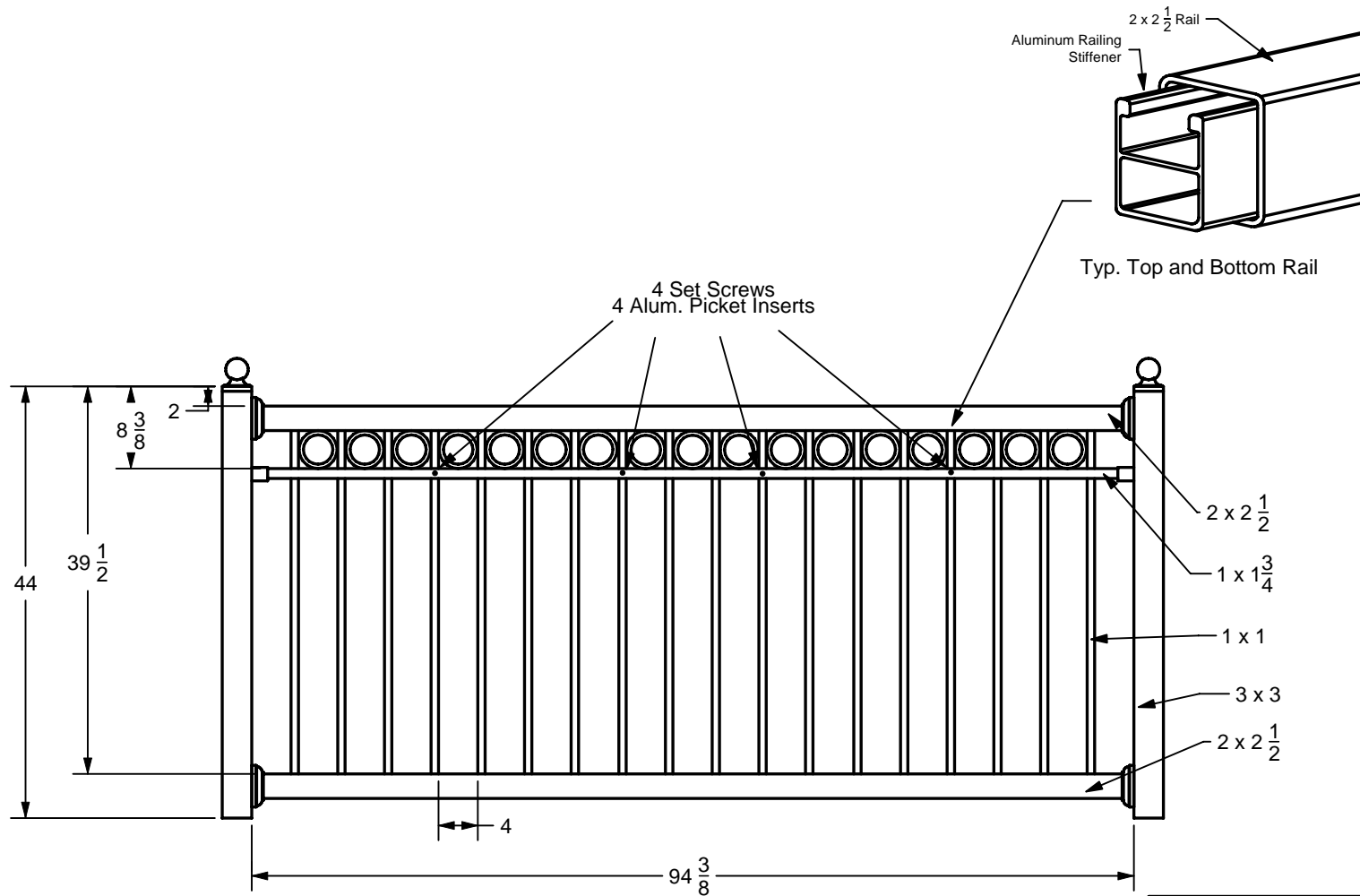
BSL-174-6 RAILING 42" WITH 4" SPACING AND 4" RINGS-1" x 1" PICKETS

Note: Use BOCA /ICC Approved Post Insert
Meets IBC, SBC & BOCA /ICC Code Requirements.
See Local Building Code Authority for Compliance

BLACKline™ *hhp*
HIGH HEAT PERFORMANCE

ORNAMENTAL DESIGN	OFFICE: (360) 398-1824
#: BSL 174-6	1325 Marietta Ave. Bellingham, WA 98226
REV : AUGUST 2014	Web Site: http://www.blacklinehnp.com
SCALE : 1 : 1	DWG NUMBER :
Property of Blackline	SHEET 1 OF 1

COMMERCIAL RAILING



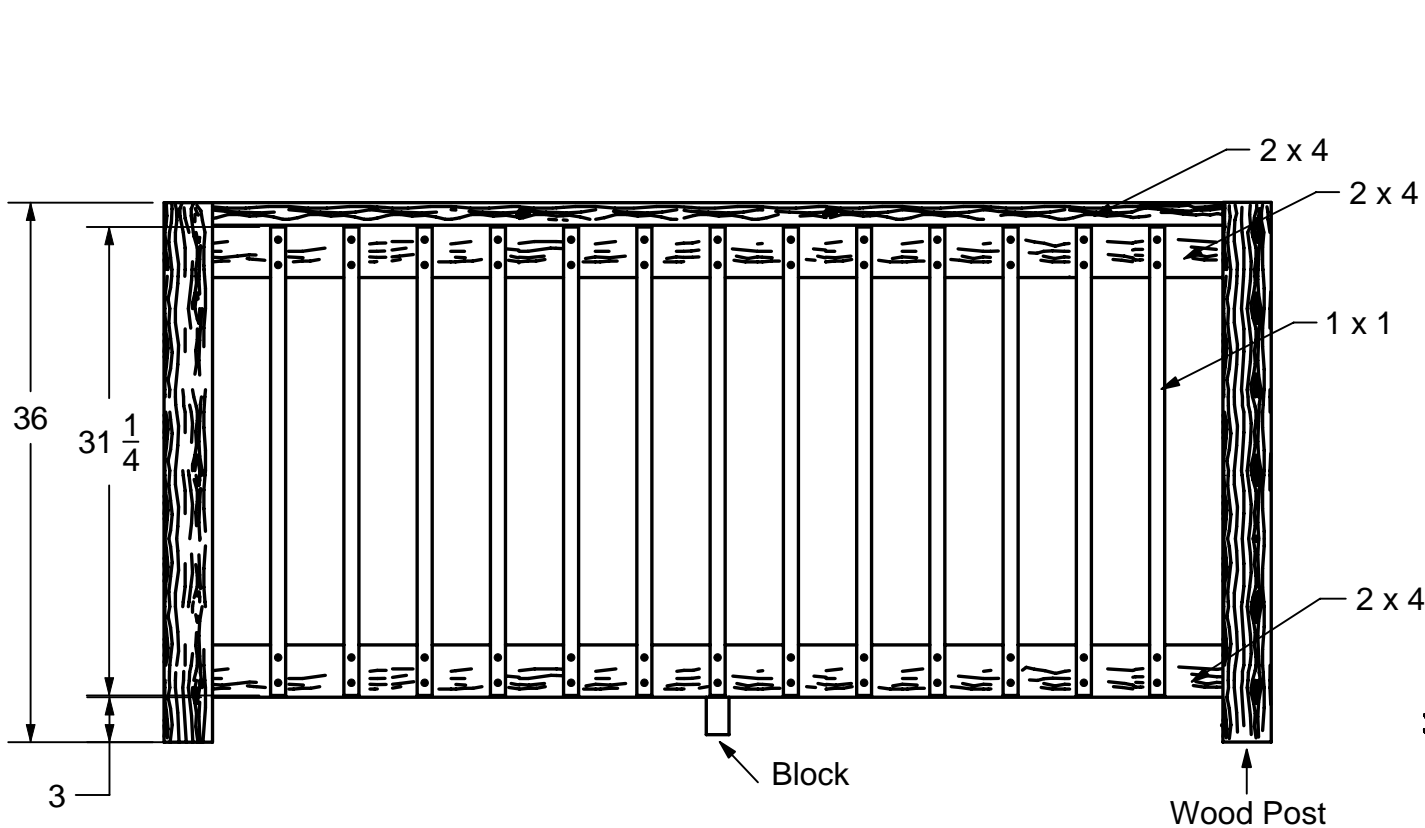
BILL OF MATERIALS		
PART #	QUAN.	DESCRIPTION
BP4476		4 x 4 x 44
BR11348	1	1 3/4 x 1 x 94
BR2258	2	2 x 2 1/2 x 94
BPK114	18	1 x 1 x 38 1/2
		OPTIONAL CAPS
BR4	17	4" O.D. RINGS
GRS2258	2	GUARD RAIL STIFFENER
BTB225	4	TRIM & BASE BRACKET
BWM134	2	WALL MOUNT
SS1	2	#12 x 1" FLAT HEAD SCREWS

BSL-174-8 RAILING 42" WITH 4" SPACING AND 4" RINGS- 1" x 1" PICKETS

Note: Use BOCA /ICC Approved Post Insert
 Meets IBC, SBC & BOCA /ICC Code Requirements.
 See Local Building Code Authority for Compliance

BLACKline™ hhp
 HIGH HEAT PERFORMANCE

ORNAMENTAL DESIGN	OFFICE: (360) 398-1824
#: BSL 174-8	1325 Marietta Ave. Bellingham, WA 98226
REV : AUGUST 2014	Web Site: http://www.blacklinehnp.com
SCALE : 1 : 1	DWG NUMBER :
Property of Blackline	SHEET 1 OF 1



BILL OF MATERIALS		
PART #	QUAN.	DESCRIPTION
BP113125		1 x 1 x 38 1/2
AB34		3/4 x 3/4 x 3
		2 1/2" Screws

**BLACK ORNAMENTAL PICKETS
TYPICAL WOOD RAIL WITH 1" x 1" PICKETS**

BLACKlineTM hhp
HIGH HEAT PERFORMANCE

ORNAMENTAL DESIGN	OFFICE: (360) 398-1824
BORN3138	1325 Marietta Ave. Bellingham, WA 98226
REV : AUGUST 2014	Web Site: http://www.blacklinehnp.com
SCALE : 1 : 1	DWG NUMBER :
Property of Blackline	SHEET 1 OF 1