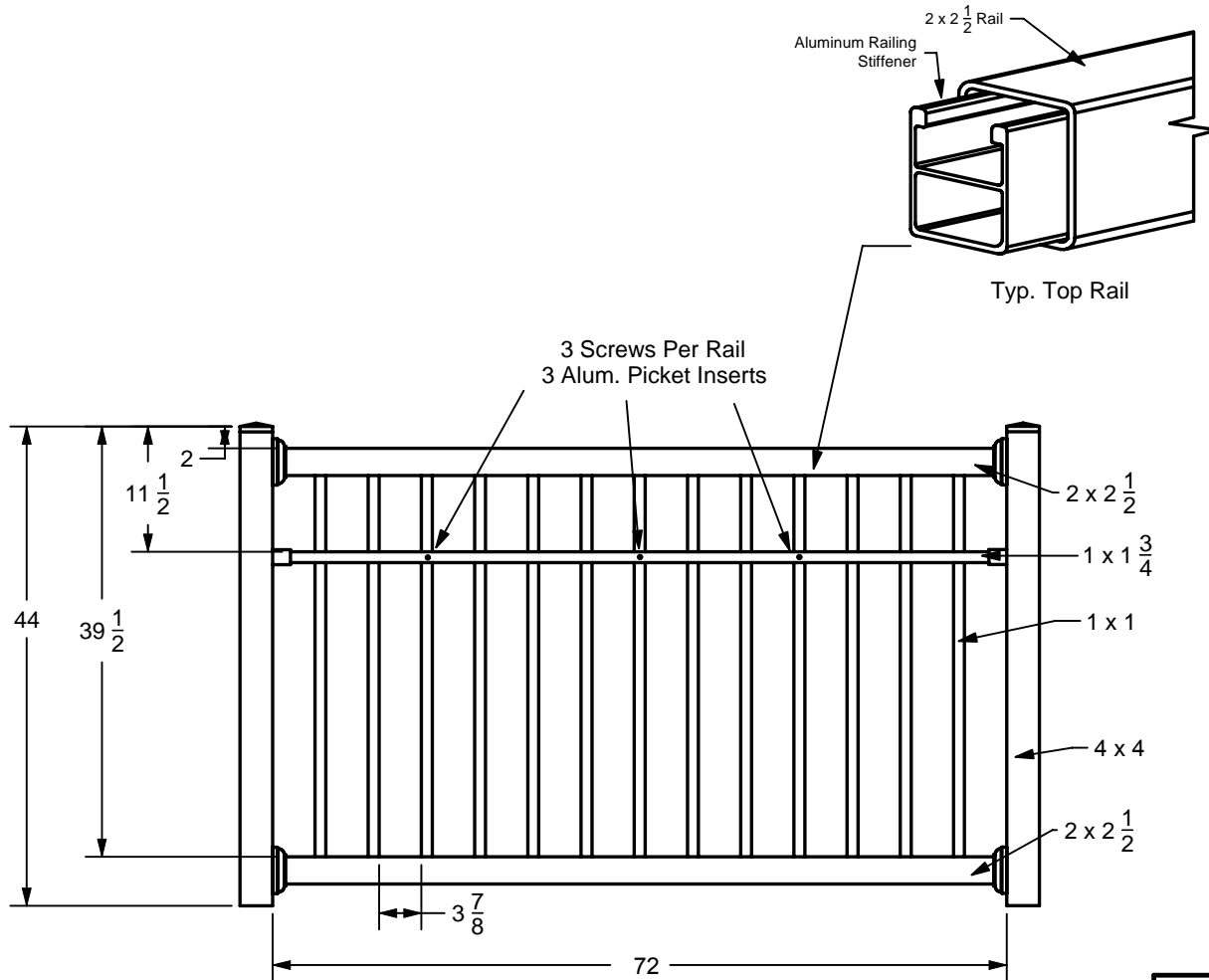


COMMERCIAL RAILING



BILL OF MATERIALS

PART #	QUAN.	DESCRIPTION
BP4444		4 x 4 x 44
BR22572	2	2 x 2 1/2 x 72
BR11346	1	1 3/4 x 1 x 72
BPK1138	13	1 x 1 x 38 1/2
		OPTIONAL CAPS
GRS2256	1	GUARD RAIL STIFFENER
BWM134	2	WALL MOUNT
BTB225	4	TRIM & BASE BRACKET
BS1	19	1" SET SCREWS
SS1	2	# 12 x 1" FLAT HEAD SCREWS

BLACKline *hhp*
HIGH HEAT PERFORMANCE

BSL171-6 - RAILING 42" WITH 3 $\frac{7}{8}$ " SPACING - 1" x 1" PICKETS

Note: Use BOCA/ICC Approved Post Insert
Meets IBC, SBC & BOCA /ICC Code Requirements.
See Local Building Code Authority for Compliance

ORNAMENTAL DESIGN

OFFICE: (360) 398-1824
1325 Marietta Ave. Bellingham, WA 98226
Web Site: <http://www.blacklinehnp.com>

#: BSL 171-6

REV : AUGUST 2014

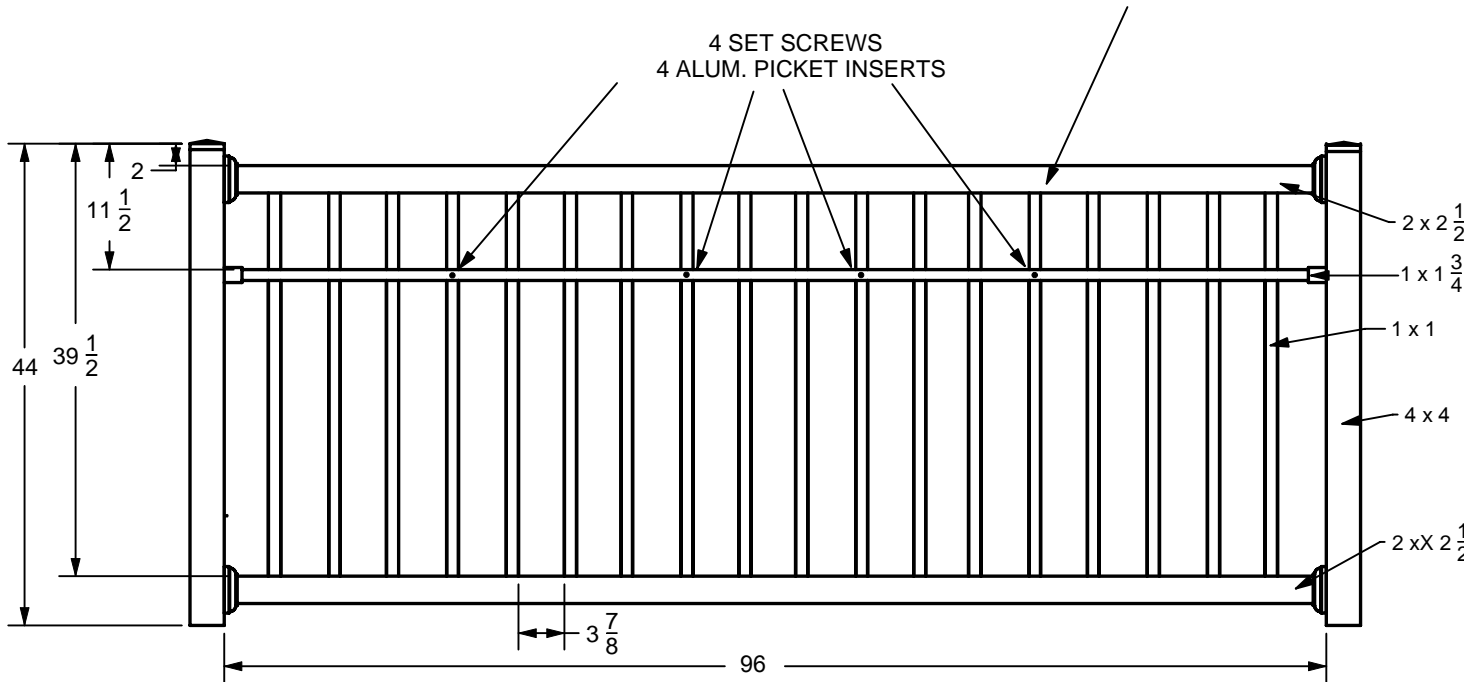
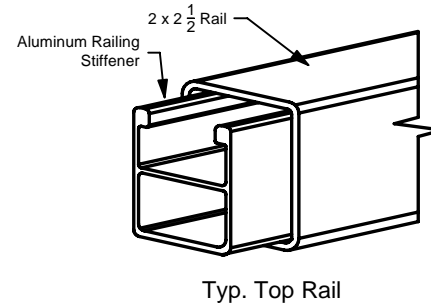
DWG NUMBER :

SCALE : 1 : 1

SHEET 1 OF 1

Property of Blackline

COMMERCIAL RAILING



BILL OF MATERIALS		
PART #	QUAN.	DESCRIPTION
BP4444		4 x 4 x 44
BR22596	2	2 x 2 1/2 x 96
BR11348	1	13/4 x 1 x 96
BPK1138	18	1 x 1 x 38 1/2
		OPTIONAL CAPS
GRS2258	1	GUARD RAIL STIFFENER
BTB225	4	TRIM & BASE BRACKET
SS1	2	#12 x 1" FLAT HEAD SCREWS
BWM134	2	WALL MOUNT

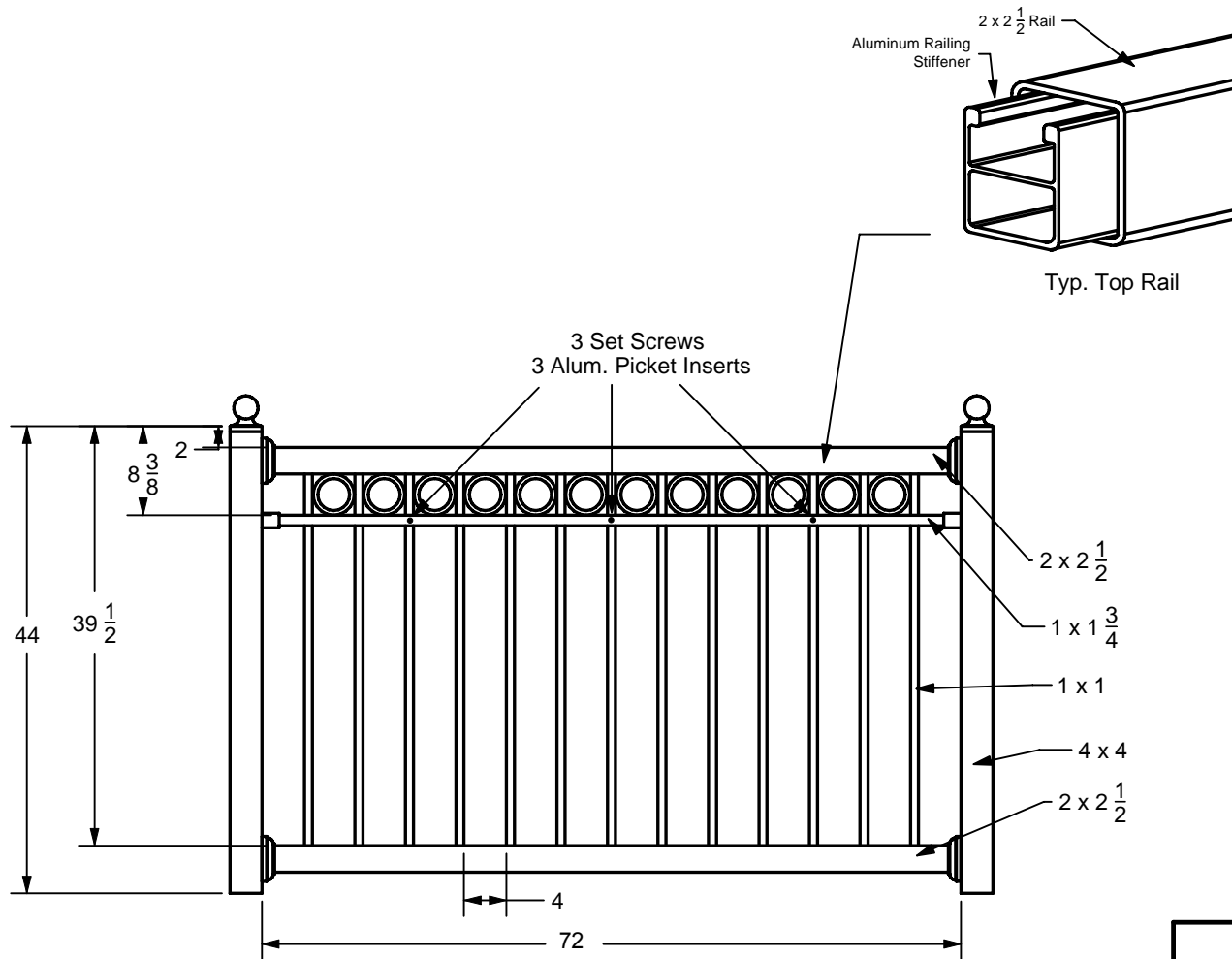
BSL171-8 - RAILING 42" WITH 3 7/8" SPACING - 1" x 1" PICKETS

Note: Use BOCA /ICC Approved Post Insert
Meets IBC, SBC & BOCA /ICC Code Requirements.
See Local Building Code Authority for Compliance

BLACKline *hhp*
HIGH HEAT PERFORMANCE

ORNAMENTAL DESIGN	OFFICE: (360) 398-1824
#: BSL 171-8	1325 Marietta Ave. Bellingham, WA 98226
REV : AUGUST 2014	Web Site: http://www.blacklinehnp.com
SCALE : 1 : 1	DWG NUMBER :
Property of Blackline	SHEET 1 OF 1

COMMERCIAL RAILING



BILL OF MATERIALS		
PART #	QUAN.	DESCRIPTION
BP4444		4 x 4 x 44
BR113472	1	1 3/4 x 1 x 72
BR22572	2	2 x 2 1/2 x 72
BP1138	13	1 x 1 x 38 1/2
		OPTIONAL CAPS
BR4	12	4" O.D. RINGS
GRS2256	1	GUARD RAIL STIFFENER
BTB225	4	TRIM & BASE BRACKET
BWM134	2	WALL MOUNT
SS1	2	#12 x 1" FLAT HEAD SCREWS

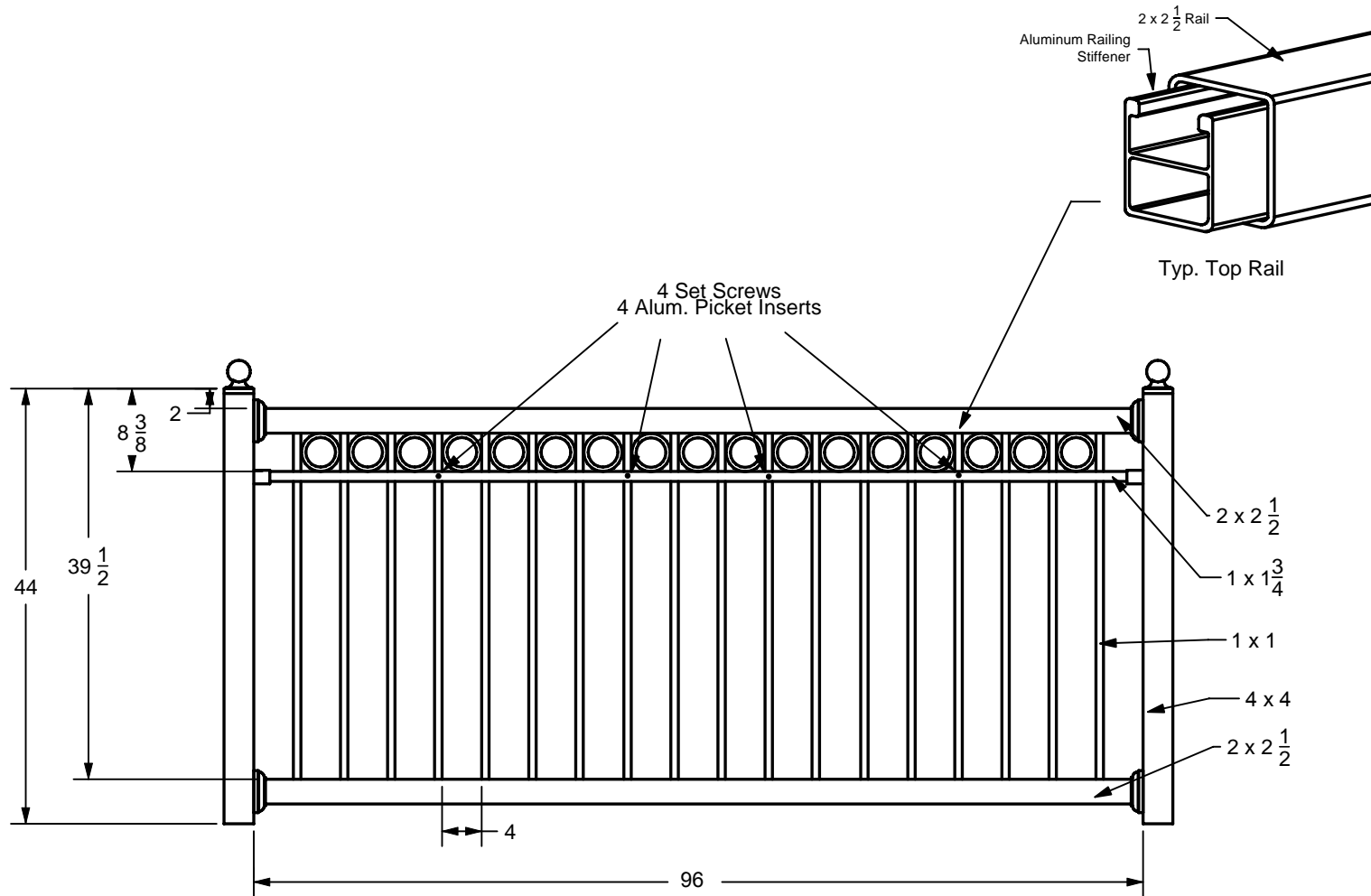
BSL-174-6 RAILING 42" WITH 4" SPACING AND 4" RINGS-1" x 1" PICKETS

Note: Use BOCA /ICC Approved Post Insert
 Meets IBC, SBC & BOCA /ICC Code Requirements.
 See Local Building Code Authority for Compliance

BLACKline™ *hhp*
 HIGH HEAT PERFORMANCE

ORNAMENTAL DESIGN	OFFICE: (360) 398-1824
#: BSL 174-6	1325 Marietta Ave. Bellingham, WA 98226
REV : AUGUST 2014	Web Site: http://www.blacklinehnp.com
SCALE : 1 : 1	DWG NUMBER :
Property of Blackline	SHEET 1 OF 1

COMMERCIAL RAILING



BILL OF MATERIALS		
PART #	QUAN.	DESCRIPTION
BP4444		4 x 4 x 44
BR113496	1	1 3/4 x 1 x 96
BR22596	2	2 x 2 1/2 x 96
BPK1138	18	1 x 1 x 38 1/2
		OPTIONAL CAPS
BR4	17	4" O.D. RINGS
GRS2258	1	GUARD RAIL STIFFENER
BTB225	4	TRIM & BASE BRACKET
BWM134	2	WALL MOUNT
SS1	2	#12 x 1" FLAT HEAD SCREWS

BSL-174-8 RAILING 42" WITH 4" SPACING AND 4" RINGS- 1" x 1" PICKETS

Note: Use BOCA /ICC Approved Post Insert
Meets IBC, SBC & BOCA /ICC Code Requirements.
See Local Building Code Authority for Compliance

BLACKline™ *hhp*
HIGH HEAT PERFORMANCE

ORNAMENTAL DESIGN	OFFICE: (360) 398-1824
#: BSL 174-8	1325 Marietta Ave. Bellingham, WA 98226
REV : AUGUST 2014	Web Site: http://www.blacklinehnp.com
SCALE : 1 : 1	DWG NUMBER :
Property of Blackline	SHEET 1 OF 1