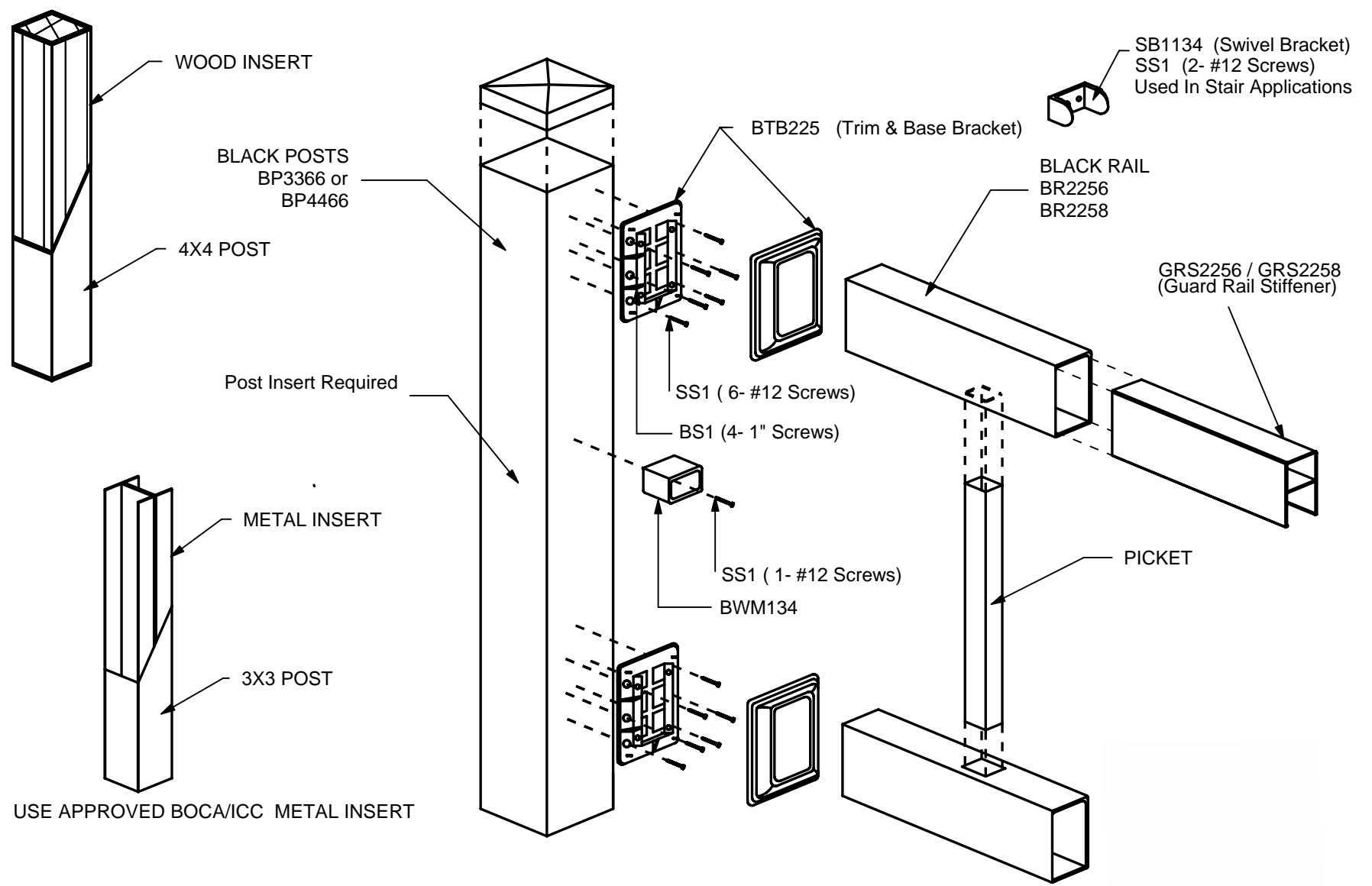
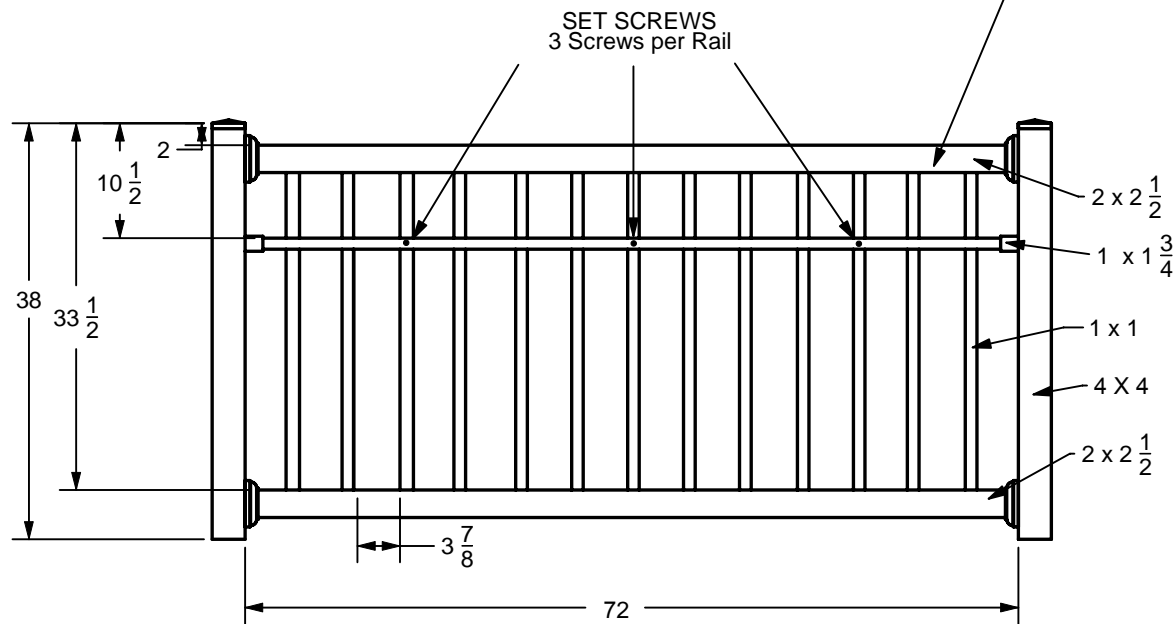


DECK RAILING



TYP. RAILING DESIGN 3" & 4" POST



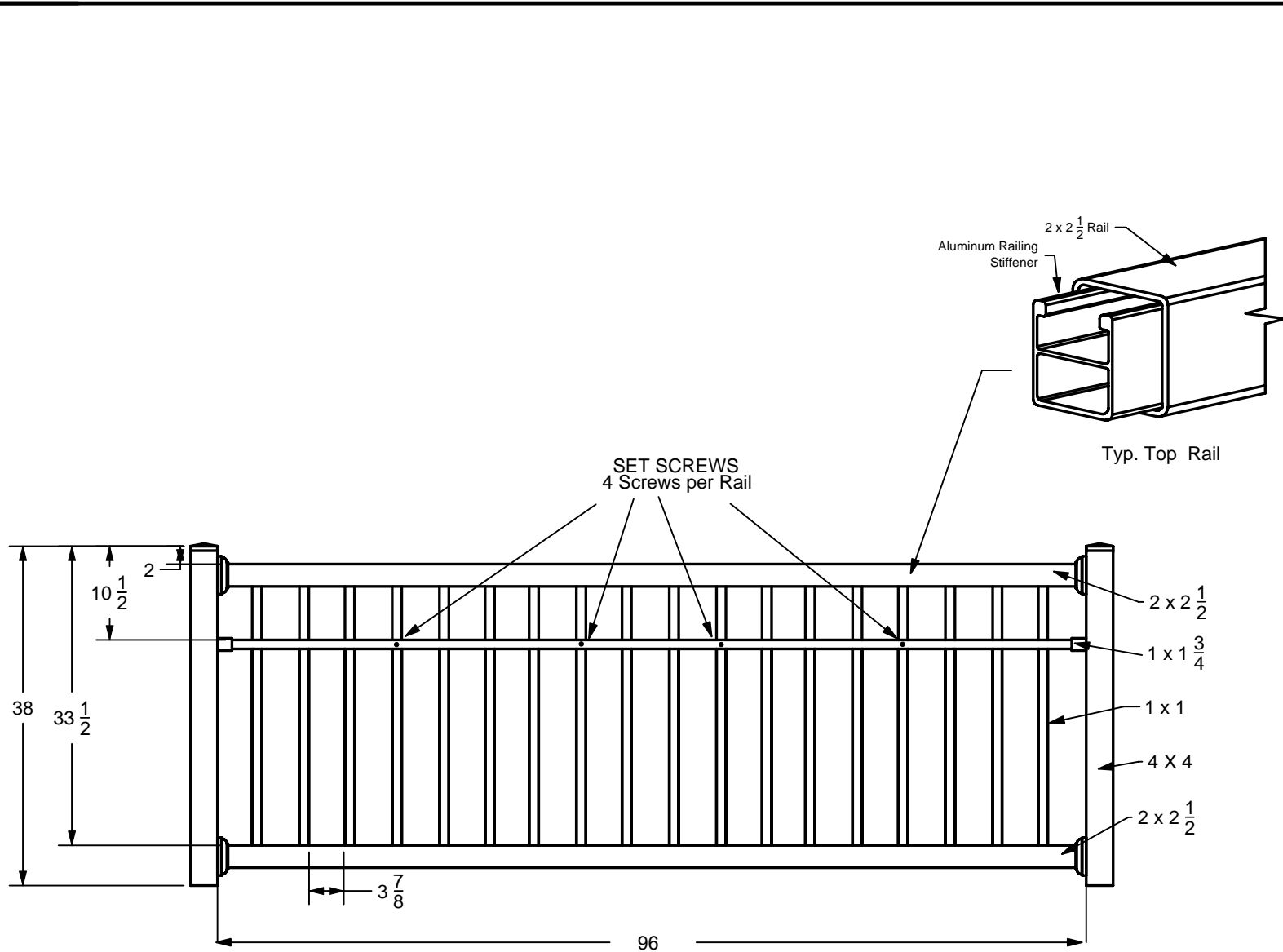
BILL OF MATERIALS		
PART #	QUAN.	DESCRIPTION
BP4438		4 x 4 x 38
BR22572	2	2 x 2 1/2 x 72
BR11346	1	1 x 1 3/4 x 72
BPK11325	13	1 x 1 x 32.5"
		OPTIONAL CAPS
GRS2256	1	GUARD RAIL STIFFENER
BTB225	4	TRIM & BASE BRACKET
SS1	2	#12 x 1" FLAT HEAD SCREWS
BWM134	2	WALL MOUNT

BSL161-6 - RAILING 36" WITH 3 7/8" SPACING - 1" x 1" PICKETS

Note: Use BOCA /ICC Approved Post Insert
Meets IBC, SBC & BOCA /ICC Code Requirements.
See Local Building Code Authority for Compliance

BLACKline TM *hhp*
HIGH HEAT PERFORMANCE

ORNAMENTAL DESIGN	OFFICE: (360) 398-1824
#: BSL 161-6	1325 Marietta Ave. Bellingham, WA 98226
REV : AUGUST 2014	Web Site: http://www.blacklinehnp.com
SCALE : 1 : 1	DWG NUMBER :
Property of Blackline	SHEET 1 OF 1



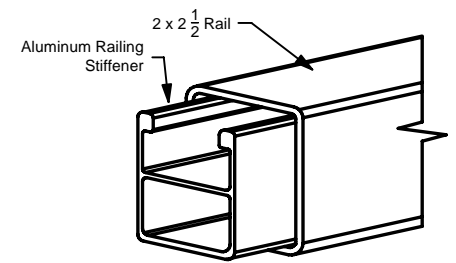
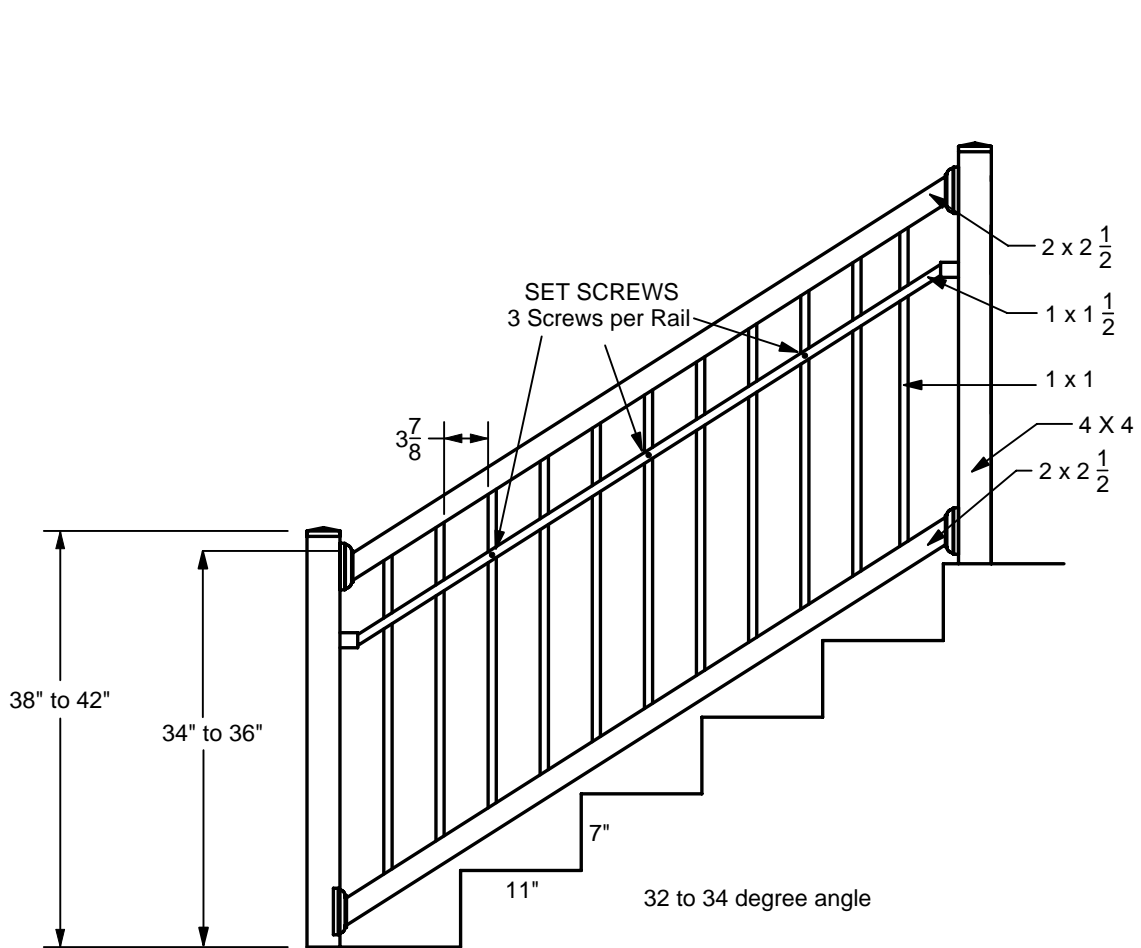
BILL OF MATERIALS		
PART #	QUAN.	DESCRIPTION
BP4438		4 x 4 x 38
BR22596	2	2 x 2 1/2 x 96
BR11348	1	1 x 1 3/4 x 96
BPK11325	18	1 x 1 x 32.5"
		OPTIONAL CAPS
GRS2258	1	GUARD RAIL STIFFENER
BTB225	4	TRIM & BASE BRACKET
SS1	2	#12 x 1" FLAT HEAD SCREWS
BWM134	2	WALL MOUNT

BSL161-8 - RAILING 36" WITH 3 7/8" SPACING - 1" x 1" PICKETS

Note: Use BOCA /ICC Approved Post Insert
 Meets IBC, SBC & BOCA /ICC Code Requirements.
 See Local Building Code Authority for Compliance

BLACKlineTM hhp
 HIGH HEAT PERFORMANCE

ORNAMENTAL DESIGN	OFFICE: (360) 398-1824
#: BSL 161-8	1325 Marietta Ave. Bellingham, WA 98226
REV : AUGUST 2014	Web Site: http://www.blacklinehph.com
SCALE : 1 : 1	DWG NUMBER :
Property of Blackline	SHEET 1 OF 1



Typ. Top & Bottom Rail

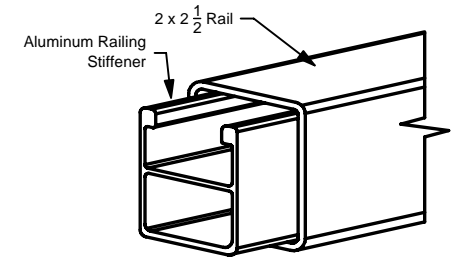
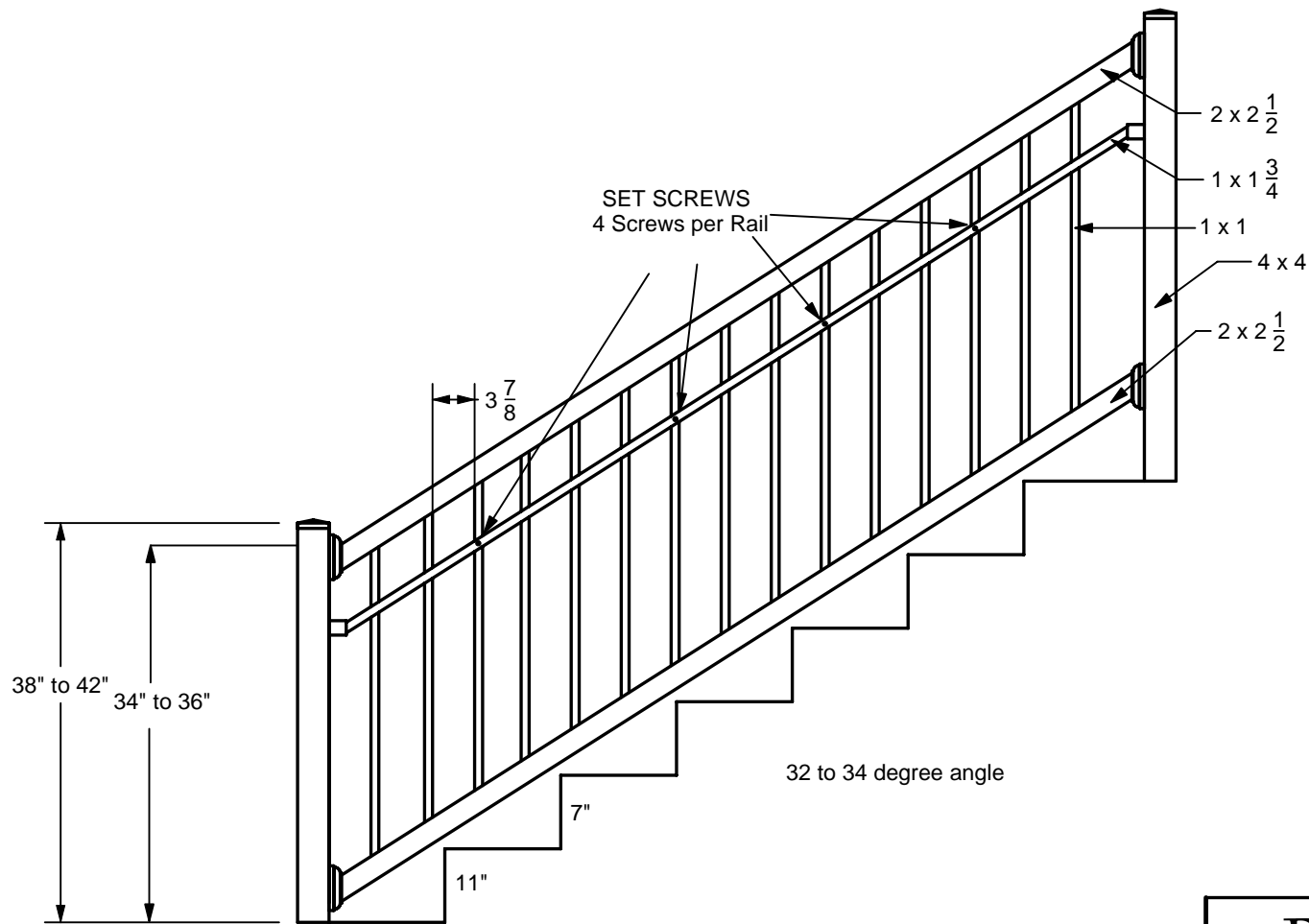
BILL OF MATERIALS		
PART #	QUAN.	DESCRIPTION
BP4438		4 x 4 x 38
BR22572	2	2 x 2 1/2 x 72
BPK11325	11	1 x 1 x 32.5"
BR11346	1	1 x 1 3/4 x 72
		OPTIONAL CAPS
GRS2256	2	GUARD RAIL STIFFENER
BTB225S	4	TRIM & BASE STAIR BRACKET
SS1	4	#12 x 1" FLAT HEAD SCREWS
SB1134	2	SWIVEL BRACKET
BWM134	2	WALL MOUNT

**BSL161-6S - STAIR RAILING 36" WITH 3 7/8" SPACING
1" x 1" PICKETS**

Note: Use BOCA /ICC Approved Post Insert
Meets IBC, SBC & BOCA /ICC Code Requirements.
See Local Building Code Authority for Compliance

BLACKline™ *hhp*
HIGH HEAT PERFORMANCE

ORNAMENTAL DESIGN	OFFICE: (360) 398-1824 1325 Marietta Ave. Bellingham, WA 98226 Web Site: http://www.blacklinehnp.com
#: BSL 161-6S	
REV : AUGUST 2014	DWG NUMBER :
Property of Blackline	SHEET 1 OF 1



Typ. Top & Bottom Rail

BILL OF MATERIALS

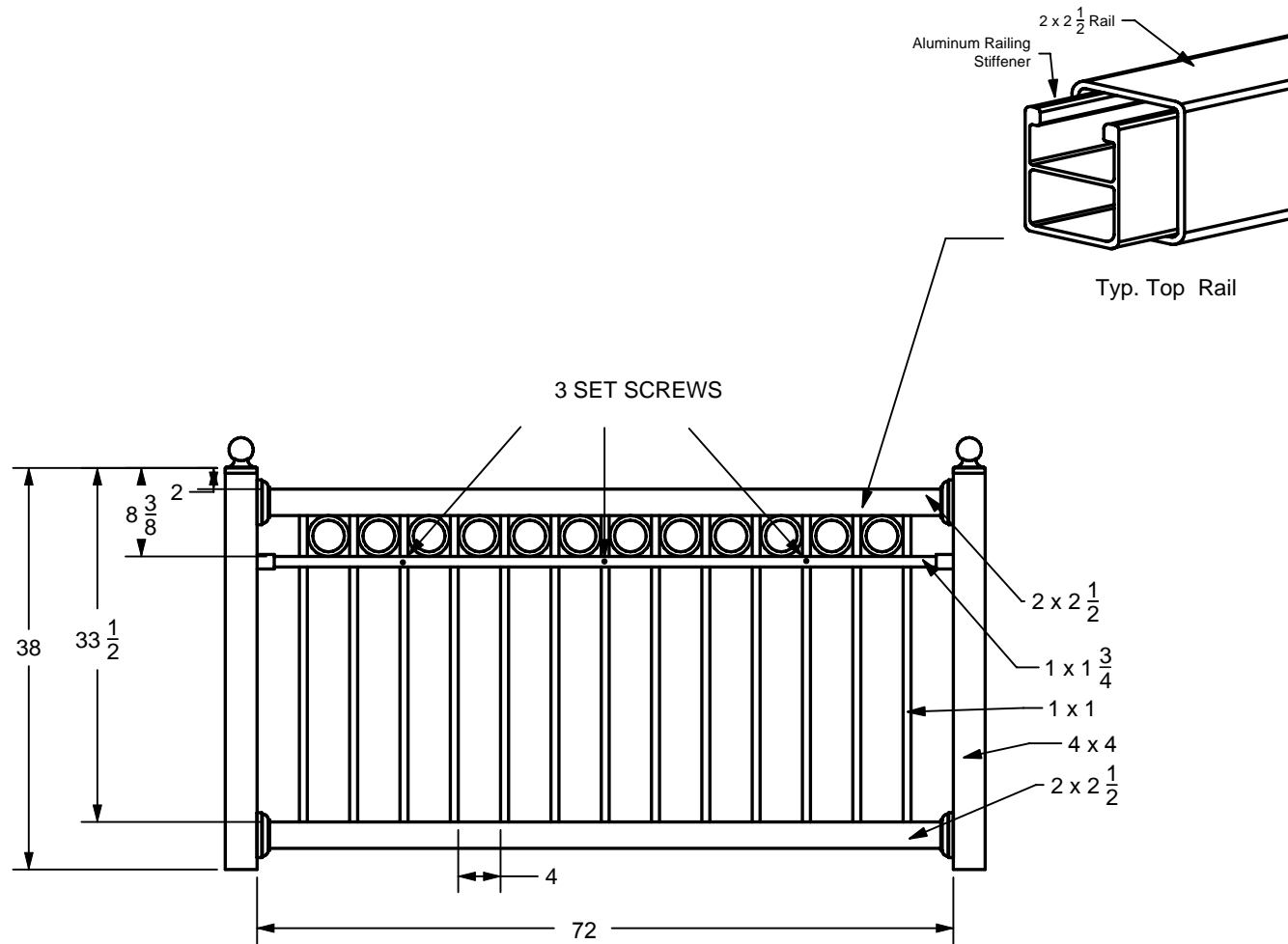
PART #	QUAN.	DESCRIPTION
BP4438		4 x 4 x 38
BR22596	2	2 x 2 1/2 x 96
BPK11325	15	1 x 1 x 32.5"
BR11348	1	1 x 1 3/4 x 96
		OPTIONAL CAPS
GRS2258	2	GUARD RAIL STIFFENER
BTB225S	4	TRIM & BASE STAIR BRACKET
SS1	4	#12 x 1" FLAT HEAD SCREWS
SB1134	2	SWIVEL BRACKET
BWM134	2	WALL MOUNT

BSL-161-8S - STAIR RAILING 36" WITH 3 7/8" SPACING 1" x 1" PICKETS

Note: Use BOCA/ICC Approved Post Insert
Meets IBC, SBC & BOCA/ICC Code Requirements.
See Local Building Code Authority for Compliance

BLACKline *hhp*
HIGH HEAT PERFORMANCE

ORNAMENTAL DESIGN	OFFICE: (360) 398-1824 1325 Marietta Ave. Bellingham, WA 98226 Web Site: http://www.blacklinehnp.com
#: BSL 161-8S	
REV : AUGUST 2014	DWG NUMBER :
SCALE : 1 : 1	SHEET 1 OF 1
Property of Blackline	



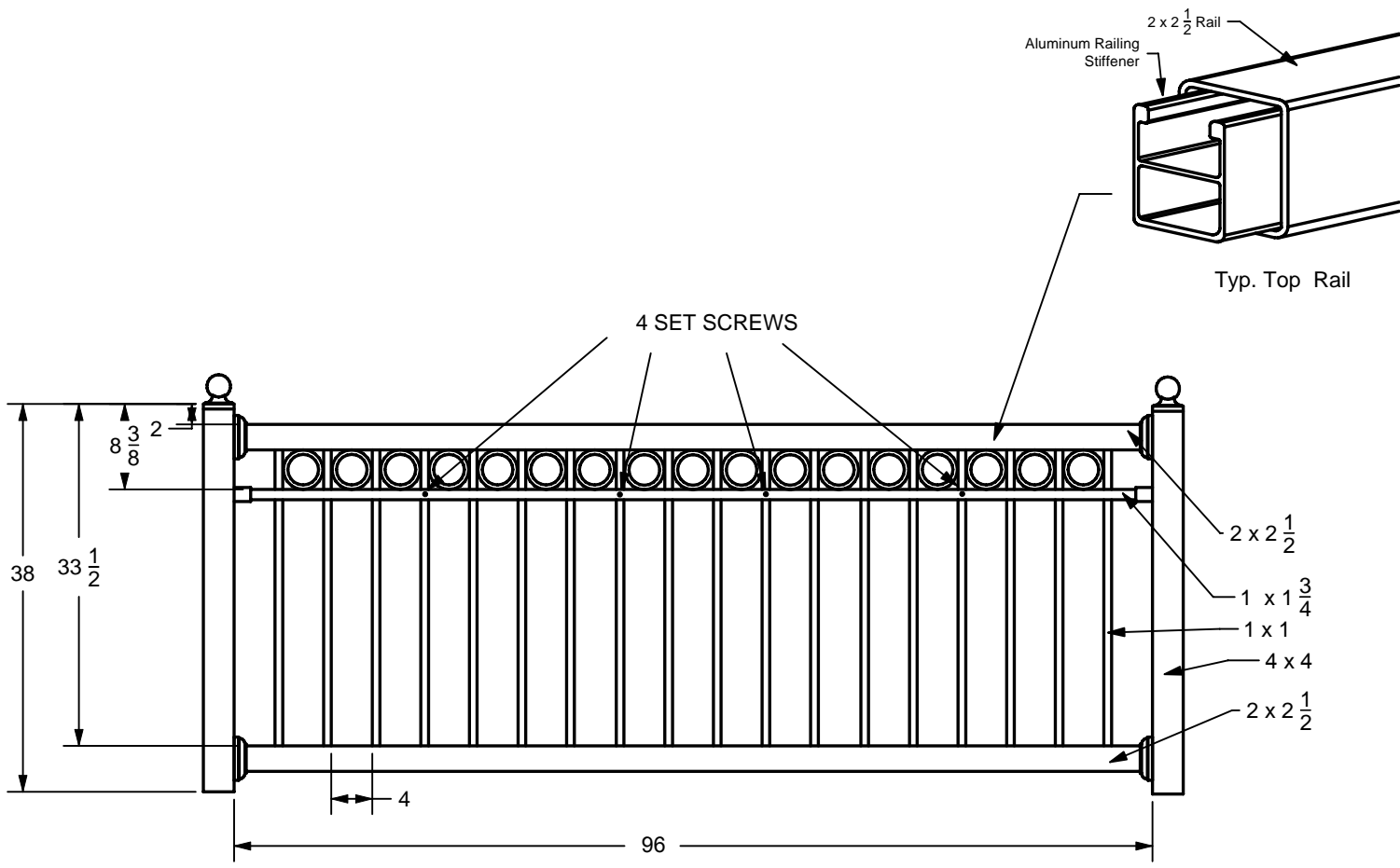
BILL OF MATERIALS		
PART #	QUAN.	DESCRIPTION
BP4438		4 x 4 x 38
BR22572	1	1 x 1 3/4 x 72
BR2256	2	2 x 2 1/2 x 72
BPK11325	13	1 x 1 x 32.5"
		OPTIONAL CAPS
BR4	12	4" O.D. RINGS
GRS2256	1	GUARD RAIL STIFFENER
BTB225	4	TRIM & BASE BRACKET
BWM134	2	WALL MOUNT
SS1	2	#12 x 1" FLAT HEAD SCREWS

BSL-164-6 RAILING 36" WITH 4" SPACING AND 4" RINGS- 1" x 1" PICKETS

Note: Use BOCA /ICC Approved Post Insert
 Meets IBC, SBC & BOCA /ICC Code Requirements.
 See Local Building Code Authority for Compliance

BLACKline™ hhp
 HIGH HEAT PERFORMANCE

ORNAMENTAL DESIGN	OFFICE: (360) 398-1824
#: BSL 164-6	1325 Marietta Ave. Bellingham, WA 98226
REV : AUGUST 2014	Web Site: http://www.blacklinehph.com
SCALE : 1 : 1	DWG NUMBER :
Property of Blackline	SHEET 1 OF 1



BILL OF MATERIALS		
PART #	QUAN.	DESCRIPTION
BP4438		4 x 4 x 38
BR22596	1	1 x 1 3/4 x 96
BR2258	2	2 x 2 1/2 x 96
BPK11325	18	1 x 1 x 32.5"
		OPTIONAL CAPS
BR4	17	4" O.D. RINGS
GRS2258	1	GUARD RAIL STIFFENER
BTB225	4	TRIM & BASE BRACKET
BWM134	2	WALL MOUNT
SS1	2	#12 x 1" FLAT HEAD SCREWS

BSL-164-8 RAILING 36" WITH 4" SPACING AND 4" RINGS- 1" x 1" PICKETS

Note: Use BOCA /ICC Approved Post Insert
 Meets IBC, SBC & BOCA /ICC Code Requirements.
 See Local Building Code Authority for Compliance

BLACKlineTM hhp
 HIGH HEAT PERFORMANCE

ORNAMENTAL DESIGN	OFFICE: (360) 398-1824
#: BSL 164-8	1325 Marietta Ave. Bellingham, WA 98226
REV : AUGUST 2014	Web Site: http://www.blacklinehnp.com
SCALE : 1 : 1	DWG NUMBER :
Property of Blackline	SHEET 1 OF 1